

# TAKSTAR® 得胜



**E300** | 便携式扩音器  
PORTABLE AMPLIFIER

## ■ 前言

尊敬的用户：

感谢您选购得胜E300便携式扩音器，为了您能够更好的了解使用本产品，建议您在使用前仔细阅读本说明书。

若存在有疑问或者您有宝贵的建议，可通过拨打得胜官方服务热线 400 6828 333 或微信扫描二维码关注得胜官方公众号与我们联系。



## ■ 产品特性

- 一款便携式有线扩音器，适用于教学、导游、促销等场合
- 配有有线头戴麦克风，小巧轻便，佩戴无负重感，满足长时间佩戴需要
- 采用稀土扬声器，重量轻、音质好、声音大
- 具有无线播放功能，连接手机、电脑、PAD等设备播放音乐
- 支持插TF卡，具有音乐播放功能，可播放MP3、WAV音频格式文件
- 具有录音功能，可录制存储WAV格式的音频文件
- FM收音机功能，自动搜台保存，可保存50个频道以上
- 主机内置大容量锂离子电池，使用时间可达10小时以上
- 10W峰值功率，声音更大，覆盖范围更广，轻松应对室内外扩音需求

## ■ 包装清单

E300有线扩音器 .....	1个
HM-780L头戴麦克风 .....	1个
Micro USB充电线 .....	1条
腰带 .....	1条
说明书 .....	1份

## ■ 适用范围

适用于教学、导游、培训、促销、宣传、晨练、娱乐等场合扩音

## ■ 技术参数

### 主机参数

频率响应: 150Hz-12kHz

峰值功率: 10W

扬声器阻抗: 4Ω

总谐波失真:  $THD \leq 1\%$  1KHz@4R,4W

工作电压: 3.45V-4.2V

电池容量: 3.7V/2000mAh

充电方式: DC 5V  $\approx$  800mA

充电时间: 约2~3小时

使用时间: 约10小时

产品重量: 约200g

产品尺寸: 113\*84\*44mm(长\*宽\*高)

### 音头参数

拾音器: 背极式驻极体

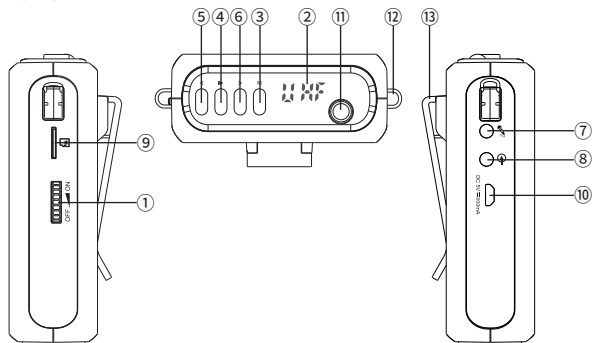
指向性: 单指向

频率响应: 100Hz-12.5KHz


灵敏度: -42~-48dB(0dB=1V/Pa,  
at 1KHz)

注: 以上数据由得胜实验室测得并拥有最终解释权!

### ■ 功能示意：



① 电源开关：向“ON”方向拨动旋钮，听到“哒”一声，同时LED数码显示屏出现“———”符号，表示扩音器已通电并进入扩音状态，继续向上拨动旋钮声音增大，反之声音减小直至听到“哒”的一声关机；

② LED数码显示屏：显示当前的工作模式及电池电量；有4种工作模式，按顺序分别是蓝牙模式、TF卡模式、收音模式、音源输入模式。当显示“BLUE”时为蓝牙模式，“TF”时为TF卡模式，“FM”时为收音模式，“AUX”时为音源输入模式；“”为电池电量符号，当电池电量充足时，电量符号不显示；当电量符号闪烁时，表示电池电量较低，需及时充电；15分钟无任何操作时，显示屏出现“———”符号，表示扩音器进入休眠省电状态，按任意键即可唤醒。

③ “M”键模式切换按键：开机状态下，短按该按键可切换工作模式，并有相应的语音提示。当接入AUX音源或插TF卡时，以音源输入模式或插卡模式为优先，当拔掉AUX音源或退出TF卡时，跳转到下一个工作模式；在插有TF卡及接通麦克风的情况下，长按此键出现“REC”符号，进入录音模式，并语音提示“录音模式”。录音过程显示屏“00:00”数值变动，表示录音时长，录制完成时长按此键可退出并保存录音；

## E300 便携式扩音器

④ “▶” 播放/暂停按键：在蓝牙、TF卡或收音模式下，短按此键可控制播放与暂停；在蓝牙播放时，长按此键可以断开蓝牙连接；在TF卡模式下播放音乐时，长按此键出现“(1)”单曲循环符号，进入单曲循环播放状态，再次长按此键，“(1)”符号消失，退出单曲循环播放；在收音模式下，长按此键进入全自动搜台，搜台过程中频率数值滚动显示，搜台结束后自动定格第一个频道播放。最多可以搜索保存50个频道以上，具体能保存多少个频道要视周边的电台信号强度而定；

⑤ “<” 上一曲按键：在蓝牙、TF卡播放状态时，短按此键为上一曲；在收音模式下，短按此键可切换上一个频道；

⑥ “>” 下一曲按键：在蓝牙、TF卡播放状态时，短按此键为下一曲；在收音模式下，短按此键可切换下一个频道；

⑦ “🎤” MIC输入接口：将有线麦克风插头插入此孔，进入有线人声扩音状态；

⑧ “🔌” AUX输入接口：通过Ø3.5mm音频连接线与手机、平板、MP3等播放设备连接，可将扩音做为有源音箱使用；

⑨ “🗂️” TF卡插槽：根据示意的插卡方向插入TF内存卡。插入时，听到“嗒”一声，表示已安装到位；取卡时将卡往下按压，听到“嗒”一声，TF内存卡会自动弹出来；

提示：请确保TF卡中储存的是MP3、WAV格式的音频文件，否则不能正常读取歌曲文件甚至有损坏机器的风险；拷入歌曲前请先将TF卡按FAT\FAT32格式进行格式化，其他方式的格式化（如exFAT、NTFS格式）会导致录音无法保存或者储存的歌曲无法播放。

⑩ 充电接口：通过Micro USB充电线为扩音器充电；

⑪ FM天线：用于增强FM收音信号强度，在收音模式下建议拉出以便得到较好的收音效果；

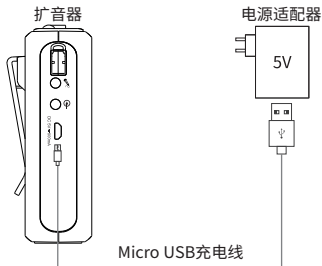
⑫ 挂扣：用于安装肩带，可将扩音器斜挂于肩上使用；

⑬ 背扣：用于将扩音器扣于腰带或裤腰上使用；

### ■ 使用方法

1. 将头戴麦克风正确的佩戴在头部，并调整好麦克风的拾音角度。
2. 将3.5mm的麦克风插头插入MIC输入接口孔内。
3. 打开电源，LED数码显示屏亮，调整音量旋钮到合适的音量大小。
4. 在使用过程中，若电量符号闪烁时，电池已处于低电量状态，请及时充电。

### ■ 充电示意



可连接移动电源、电脑USB或电源适配器进行充电；

1. 扩音器在开机状态下，显示屏不显示，说明扩音器没电；电量符号闪烁说明扩音器电量不足；
2. 为扩音器充电时，扩音器电量符号长亮，表示正在充电中；电源符号消失，表示电已充满；
3. 使用5V直流电源充电，在充电电流800mA的情况下，约2~3小时即可充满电；当电池电量充满时，请停止对电池充电，避免电池过充；

提示：初次使用时，建议先充满电；如长时间不用，要每半年给扩音器充一次电，避免电池过放；对电池性能产生影响。

### ■ 安全警示

为避免电击、高温、着火、辐射、爆炸、机械危险以及使用不当等可能造成的人身伤害或财产损失，使用本产品前，请仔细阅读并遵守以下事项：

- 1.使用产品时请确认所连接设备与本产品功率是否匹配以及合理调整设备音量大小，不要在超过产品功率及大音量下长时间使用，以免造成产品异常和听力损伤；
- 2.使用中若发现有异常（如冒烟、异味等），请立即关闭电源开关并拔掉电源插头，然后将产品送经销商检修；
- 3.若产品需要使用可拆装电池时，严禁使用外壳绝缘材料破损的电池；请不要为非充电电池充电；
- 4.废弃电池需放入指定的分类垃圾桶，不可作为儿童玩具或直接丢弃，以免造成安全隐患或影响环境；
- 5.超过一周不使用本产品时，请取出麦克风内电池，以免电池漏液导致产品损坏；
- 6.本产品及配件都应放置在室内干燥通风处，勿长期存放在潮湿、灰尘多的环境，使用中避免靠近火源，雨淋、进水、过度碰撞、抛掷、振动本机及覆盖通风孔，避免损坏其功能；
- 7.若产品需要固定于墙壁或天花板上时，请确保固定到位，防止因固定强度不足导致产品发生跌落危险；
- 8.使用该产品时需遵守相关安全规定，法律法规明确禁止使用场合请勿使用产品，以免导致意外事故；
- 9.请不要自行拆机改装或维修，以防止出现人身伤害，如有问题或服务需求请联系当地经销商跟进处理。

## ■ Preface

Dear Customer,

Thank you for purchasing TAKSTAR E300 portable amplifier. Please read the user manual carefully before operation and keep it for reference in future. If you have any questions or suggestions, please contact our local dealer.

## ■ Features

- Portable wired amplifier suitable for teaching, tour guide, promotion, etc
- Wired head-worn microphone of compact and lightweight design for long-time wearing
- Rear earth material speaker, light weight, high-quality sound, high volume
- Wireless playing function to play audio files in a cell phone, PC, PAD, etc
- Supporting TF card, music playing function to play audio files in MP3 or WAV format
- Recording function to record and save audio files in WAV format
- FM radio function to search and save channels up to 50
- Built-in high capacity Li-ion battery, operation time of more than 10h
- 10W peak power, higher volume, and wide coverage to easily meet the needs of indoor and outdoor sound reinforcement

## ■ Product Content

E300 wired amplifier.....	1 pc
HM-780L head-worn microphone.....	1 pc
Micro USB charging cable .....	1 pc
Strap.....	1 pc
User manual.....	1 pc

## ■ Application

Suitable for teaching, tour guide, training, promotion, publicity, morning exercise, entertainment, etc.

## ■ Specifications

### Amplifier Specification

Frequency Response: 150Hz-12kHz

Peak Power: 10W

Speaker Impedance: 4Ω

THD: THD ≤ 1% 1KHz@4R,4W

Operating Voltage: 3.45V-4.2V

Battery Capacity: 3.7V/2000mAh

Charging: DC 5V  $\approx$  800mA

Charging Time: approx. 2~3h

Operation Time: approx. 10h

Net Weight: approx. 200g

Dimension: 113\*84\*44mm (L\*W\*H)

### Cartridge Specification

Cartridge: back electret cartridge

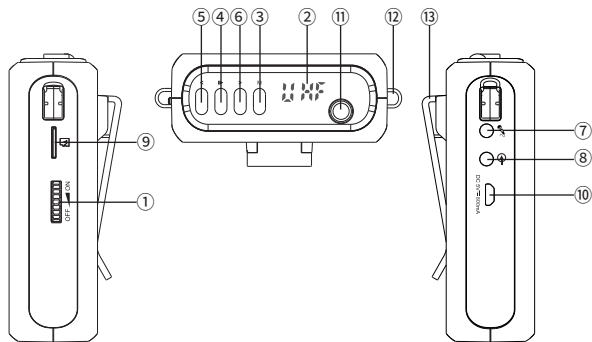
Polar Pattern: unidirectional

Frequency Response: 100Hz-12.5KHz

Sensitivity: -42~-48dB (0dB=1V/Pa,  
at 1KHz)

Note: The data is tested by Takstar Laboratory and Takstar has the final interpretation right!

## ■ Functions



① Power switch: Turn the power switch to the "ON" direction. When you hear the sound "da", LED display shows a "———" icon, indicating that the amplifier is turned on and in the working status. The volume increases if you continue to turn the power switch to the "ON" direction. The volume decreases if you turn the power switch to the "OFF" direction, but if you hear the sound "da", it means the amplifier is turned off.

② LED display: It displays the current working mode and battery power. There are 4 working modes: BLUE (Bluetooth mode), TF (TF card mode), FM (radio mode), AUX (audio input mode). "🔋" is the battery icon. When there is sufficient battery, the battery icon is not displayed; when the battery icon flashes, it means that the battery is low and needs to be charged in time. When there is no operation for 15 minutes, the display shows a "———" icon, indicating that the amplifier enters into standby status. The standby status can be undone by pressing any button.

③ "M" button: In the power-on state, press the button to switch the working

mode, and there will be corresponding voice prompts. When connecting with the AUX audio source or inserting the TF card, the audio input mode or the TF card mode is prioritized. When disconnecting with the AUX audio source or taking out the TF card, it goes to the next working mode. When inserting the TF card and connecting to a microphone, if you keep pressing the button, the “REC” icon will occur and the amplifier goes into the recording mode with the voice prompt of “Recording Mode”. “00: 00” on the display changes during recording and shows the recording time. When the recording is done, keep pressing the button to exit and save the recording.


④ “▶” Play/Pause button: In the Bluetooth, TF card or radio mode, press the button to play and pause. When in the Bluetooth mode, keep pressing the button to disconnect the Bluetooth. When playing music in the TF card mode, keep pressing the button to repeat the current song with the “(1)” icon displayed; keep pressing the button again to stop repeating the song with the “(1)” icon disappearing. When in the radio mode, keep pressing the button to search for stations, meanwhile the frequency number changes. After searching for a station, it plays the first channel. The amplifier can save more than 50 channels. The number of channels that can be saved depends on the signal strength of the surrounding radio stations.

⑤ “◀” Previous song button: In the Bluetooth or TF card mode, press the button for the previous song; in the radio mode, press the button for the previous channel.

⑥ “▶” Next song button: In the Bluetooth or TF card mode, press the button for the next song; in the radio mode, press the button for the next channel.

⑦ “🎤” MIC input interface: Put the microphone plug into the interface for voice reinforcement.

⑧ “📶” AUX input interface: Connect to equipment like cell phones, tablets, MP3 via the Ø3.5mm audio cable to turn the amplifier into an active speaker.

⑨ “” TF card slot: Insert a TF memory card according to the indicated direction. When inserting the card, if you hear the sound “da” , it means it has been installed in place. When taking out the card, press it down until you hear the sound “da” , and the TF memory card will pop up automatically.

Note: Please make sure that the audio files stored in the TF card are in MP3, WAV format, otherwise the audio files cannot be read normally, and there may even be damage to the machine. Please format the TF card in FAT\FAT32 format before copying the songs. Another formatting (such as exFAT, NTFS format) will cause the recordings unable to save or the stored songs unable to play.

⑩ Charging interface: Charge the amplifier via the Micro USB charging cable.

⑪ FM antenna: It is used to strengthen the FM radio signal. It is recommended to pull it out in the radio mode in order to get a better radio effect.

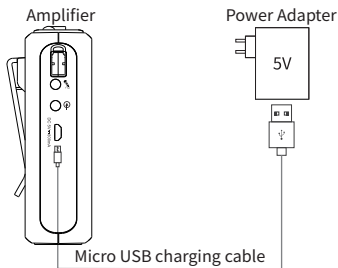
⑫ Shoulder strap buckle: It is used to install the shoulder strap, and the amplifier can be hung diagonally on the shoulder for use.

⑬ Waist strap clip: It is used to buckle the amplifier on the belt or the waistband for use.

### ■ Operation

1. Put the head-worn microphone on your head and adjust the pickup angle of the microphone.
2. Insert the 3.5mm microphone plug into the MIC input interface.
3. When the power is turned on, the LED display is on. Adjust the volume knob to a proper position.
4. If the battery icon flashes during use, it indicates that the battery is running low and needs to be charged in time.

### ■ Charging



E300 wired amplifier can connect to a power bank, computer USB, or power adapter for charging.

1. When the amplifier is turned on, if the display screen is not on, it means that the amplifier is out of power; when the battery icon flashes, it means that the amplifier has insufficient power.
2. When the amplifier is charging, its battery icon keeps lighting up, indicating that it is charging; when the battery icon disappears, it means that the battery is fully charged.
3. Use 5V DC power supply to charge. When the charging current is 800mA, the battery can be fully charged in about 2~3 hours; when the battery is full, please stop charging it to avoid overcharging.

Tips: When using the amplifier for the first time, please fully charge it before use. If the amplifier is not used for a long time, please charge it once every six months to avoid over-discharge of the battery, which will affect the battery performance.

### ■ Safety Instructions

**In order to avoid possible personal injury or property damage caused by electric shock, high temperature, fire, radiation, explosion, mechanical hazards and improper use, please read and observe the following items carefully before using the product.**

1. When using the product, please confirm whether the power of the connected device matches the power of the product, and adjust the volume of the device. Do not use it for a long time when the power of the product is exceeded or at a high volume to avoid product failure and hearing damage.
2. If there is any abnormality (such as smoke, odor, etc.) during use, please turn off the power switch and unplug the power plug immediately, and then send the product to the dealer for maintenance.
3. If the product needs to use removable batteries, it is strictly forbidden to use batteries with damaged insulation materials. Please do not charge non-rechargeable batteries.
4. Discarded batteries must be placed in designated classified garbage bins, and cannot be used as children's toys or discarded directly to avoid potential safety hazards or environmental impact.
5. If you don't use the product for more than a week, please take out the battery to avoid product damage due to battery leakage.
6. The product and accessories should be placed indoors in a dry and ventilated place. Do not store them in a humid and dusty environment for a long time. Avoid getting close to fire, rain, water, excessive collision, throwing, vibrating the machine and covering the ventilation holes during use, so as not to damage its function.
7. If the product needs to be fixed on the wall or ceiling, please make sure to fix it in place to prevent it from falling down.
8. When using the product, you must abide by the relevant safety regulations. Please do not use the product in the occasions that are clearly prohibited by laws and regulations to avoid accidents.
9. Please do not disassemble, refit or repair the product by yourself to prevent personal injury. If you have any questions or service needs, please contact the local dealer for follow-up.

## 注意事项：

1. 本单为保修凭证，请用户妥善保管，如有遗失，恕不保修或退换。
2. 保修期限制：购买之日起十二个月内。
3. 除了不可抗力事件损坏外，由本公司负责，免费维修。
4. 如属保管不善或使用不当造成的损坏，维修点将酌情收费。
5. 擅自拆卸维修者，不予保修。
6. 以上保修条款仅限于中国市场适用（不含港澳台地区）。

## 产品服务保证书

姓名：\_\_\_\_\_ 电话：\_\_\_\_\_ 地址：\_\_\_\_\_

商品：\_\_\_\_\_ 型号：\_\_\_\_\_ 购买日期：\_\_\_\_\_ 年 \_\_\_ 月 \_\_\_ 日

维修记录栏 (由维修员填写)	维修员签名	日期

◆ 广东得胜电子有限公司 ◆ 电话：400-6828-333 ◆ 地址：广东省惠州市博罗县龙溪街道富康一路2号



扫一扫，了解更多产品

Scan for more

product information

## **广东省电声工程技术研究开发中心 广东得胜电子有限公司制造**

地址：广东省惠州市博罗县龙溪街道富康一路2号

服务热线：400 6828 333 传真：0752 6383950

邮箱：xs@takstar.com

网址：www.takstar.com

Guangdong Takstar Electronic Co., Ltd.

Address: No. 2 Fu Kang Yi Rd., Longxi Boluo

Huizhou, Guangdong 516121 China

Tel: 86 752 6383644 Fax: 86 752 6383952

Email: sales@takstar.com

Website: www.takstar.com

GB 8898-2011 9T0E300S1A