

# TAKSTAR® 得胜



## MG-10FM 数字调谐器 Multifunction DVD Player

使用说明  
User Manual

# MG-10FM 数字调谐器

---

## ■ 前言

感谢您选购得胜MG-10FM数字调谐器,为了您能够更好地了解使用本产品,建议您在使用前仔细阅读本说明书。

若存在有疑问或者您有宝贵的建议,可通过拨打得胜官方服务热线400 6828 333或微信扫描二维码关注得胜官方公众号与我们联系。



## ■ 产品特性

- LCD液晶显示屏
- FM调频,可自动、手动搜索电台,立体声输出
- 可向上、向下搜索接收频率范围内所有电台,并自动按顺序保存电台
- 可直接输入电台,如直接输入106.10MHz等
- 可手动搜索电台,并可手动保存电台
- 可储存30个电台以上,并可直接选台
- 掉电程序不丢失,上电具有掉电记忆功能

## ■ 适用范围

适用于景区、学校、工程安装等

## ■ 包装清单

数字调谐器.....	1台
FM天线(3米) .....	1条
电源线.....	1条
说明书.....	1份

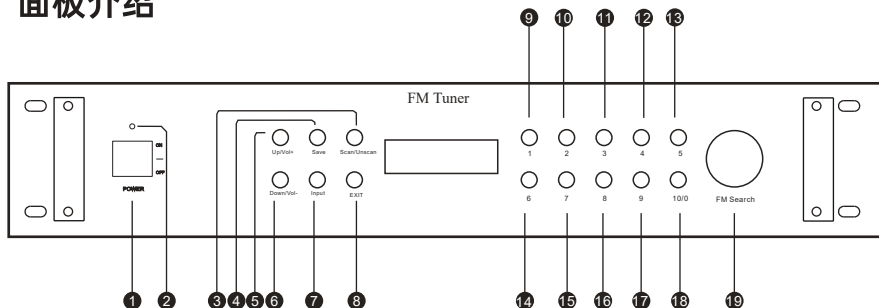
## ■ 技术参数

- 频率范围:调频(FM) 87-108.5 MHz
- 记忆电台频率数量(共 30 个) FM(调频) 30 个
- 噪限灵敏度 调频(FM) 优于 3.5uV
- 单信号选择性能 优于 40dB
- 信噪比 FM 信噪比 优于 46dB
- 电源 交流 220V/50Hz
- 最大消耗电流 小于 200mA
- 最大输出功率  $\geq 100\text{mW}$
- 立体声分离度  $\geq 40\text{dB}$
- 机身尺寸 485 x 360 x 90mm
- 机身净重量 4.62KG

注:以上数据由得胜实验室测试得到,并拥有最终解释权!

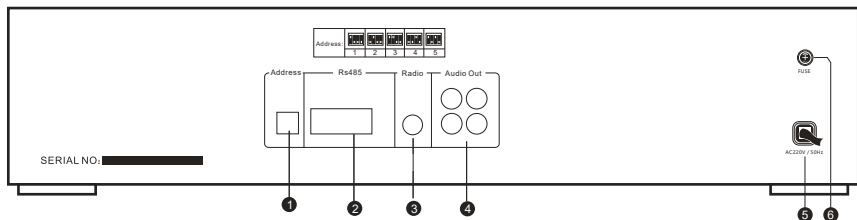
# MG-10FM 数字调谐器

## ■ 面板介绍



- ①电源开关
- ②电源指示灯
- ③自动搜索模式/手动调节模式转换
- ④保存当前频率到某个数字编号下,列如:当显示88.00时,按下Save,再按 12,表示 88.00 保存为编号12
- ⑤向上自动搜台/音量+
- ⑥向下自动搜台/音量-
- ⑦输入电台频率按键,按下该键直接输入想听电台的频率,如106.60一次按下 10660 即可。
- ⑧返回主页、删除错误输入
- ⑨-⑱数字键,直接调用数字编号频率的电台
- ⑲飞梭旋钮,旋转电台频率,分 Uns can 模式和Scan 模式

## ■ 背板介绍



- ①地址码
- ②Rs485接口
- ③Fm天线
- ④音频信号输出
- ⑤电源
- ⑥保险丝


备注：


使用时请插好天线，如果当地信号较差，可以更换别的天线进行尝试。


## ■ 注意事项



注意：为防电击，请勿打开机盖(或后盖)。本机内部无使用者可以维修的部件。请委托有资格的技术人员进行维修。

 等边三角形中有箭头闪电标号的图形表示警告使用者在产品内有非绝缘的“危险电压”，可能会对人体造成很大的电击危险。

 等边三角形中有感叹号的图形表示警告使用者该设备在操作与维护(维修)方面应严格按照所附设备说明书。

 闪电标号的图形表示警告使用者在产品内有非绝缘的“危险电压”，可能会对人体造成很大的电击危险。

警告：为防止火灾或电击，请勿将本机暴露于雨中或潮湿的处所。

注意：闪电标号的图形表示警告使用者在产品内有非绝缘的“危险电压”，可能会对人体造成很大的电击危险。



仅适用于海拔2000  
米以下地区使用



仅适用于非热带  
气候条件下使用

## ■ 安全警示

为避免电击、高温、着火、辐射、爆炸、机械危险以及使用不当等可能造成的人身伤害或财产损失,使用本产品前,请仔细阅读并遵守以下事项:

1. 使用产品时请确认所连设备与本产品是否匹配以及合理调整音量大小,不要在超过产品功率及大音量下长时间使用,以免造成产品异常;
2. 使用中若发现有异常(如冒烟、异味等),请立即关闭电源开关并拔掉电源插头,然后将产品送售后服务网点检修;
3. 消费者若使用电源适配器供电,则应购买配套使用获得CCC认证并满足标准要求的电源适配器;
4. 本产品及配件都应放置在室内干燥通风处,请勿长期存放在潮湿、灰尘多的环境,使用中避免靠近火源、雨淋、进水、过度碰撞、抛掷、振动本机及覆盖通风孔,以免损坏其功能;
5. 使用该产品时需遵守相关安全规定,法律法规明确禁止使用场合请勿使用本产品,以免导致意外事故;
6. 请不要自行拆机改装或维修,以防止出现人身伤害,如有问题或服务需求请联系当地售后服务网点跟进处理。

1类设备使用时,应先确认其金属外壳或构架已可靠接地,或已与插头插座内接地效果良好的保护接地极可靠连接。因产品在不断改进,规格及参数有所改变时恕不另行通知

# MG-10FM Digital Tuner

---

## ■ Preface

Dear Customer,

Thanks for purchasing our product. Read this manual thoroughly for proper use.

If you have any questions or suggestions, please contact our local sales service.

## ■ Features

- LCD Display Screen
- FM Tuning: Automatic and manual station scan with stereo output.
- Upward and downward frequency scanning to find all stations within range, automatically saving them in order.
- Direct frequency entry, e.g., inputting 106.10MHz.
- Manual station search with the option to manually save stations.
- Stores over 30 stations with direct selection capability.
- Power Loss Protection: Retains memory even after power disconnection.

## ■ Application

For use in scenic areas, schools, and engineering installations.

## ■ Package Contents

1 × Digital Tuner

1 × Power Cable

1 × User Manual

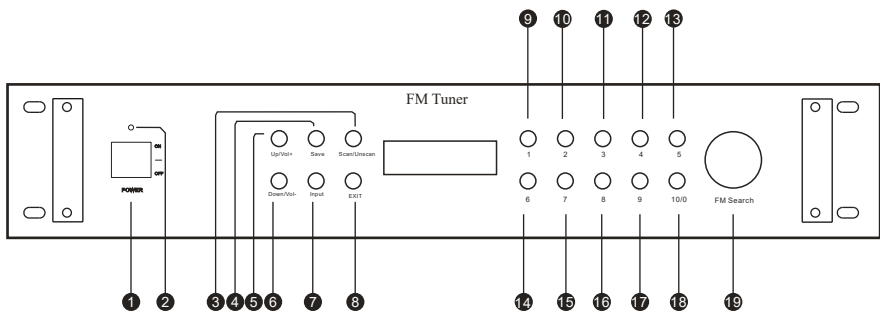
# MG-10FM Digital Tuner

## ■ Technical Specifications

- Frequency Range: FM 87-108.5 MHz
- Memory Capacity: Stores up to 30 FM stations
- Noise limit sensitivity (FM): Better than 3.5  $\mu$ V
- Single signal Selectivity performance: Greater than 40 dB
- Signal-to-Noise Ratio (FM): Greater than 46 dB
- Power Supply: AC 220V/50Hz
- Maximum Current Consumption: Less than 200 mA
- Maximum Output Power:  $\geq$ 100 mW
- Stereo Separation:  $\geq$ 40 dB
- Dimensions: 485 x 360 x 90 mm
- Net Weight: 4.62 kg

Note: The above data are measured by Takstar laboratory which has the final interpretation right!

## ■ Front Panel



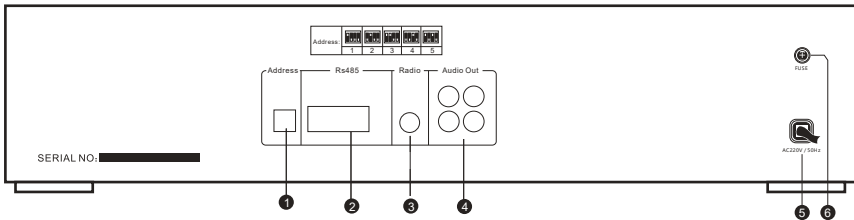
- ① Power Switch
- ② Power Indicator Light
- ③ Automatic Scan Mode / Manual Mode

# MG-10FM Digital Tuner

---

- ④ Save Current Frequency: Press Save followed by a number (e.g., 12) to save the displayed frequency (e.g., 88.00) as station number 12
- ⑤ Upward Automatic Scan / Volume +
- ⑥ Downward Automatic Scan / Volume -
- ⑦ Frequency Input Button: Press to directly input the desired station frequency (e.g., for 106.60, press 10660)
- ⑧ Return to Home / Delete Incorrect Input
- ⑨-⑰ Numeric Keys: Directly access saved station number
- ⑱ Jog Wheel: Rotate to adjust station frequency, either in Automatic Scan or Manual mode.

## ■ Rear Panel



- ① Address Code
- ② RS485 Interface
- ③ FM Antenna
- ④ Audio Signal Output
- ⑤ Power Input
- ⑥ Fuse

# MG-10FM Digital Tuner

---

## ■ Safety Precautions



CAUTION: TO REDUCE THE RISK OF ELECTRIC SHOCK. DO NOT REMOVE THE COVER (OR BACK). NO USER SERVICEABLE PARTS INSIDE. REFER SERVICING TO QUALIFIED SERVICE PERSONNEL.



The lightning flash with the arrowhead symbol within an equilateral triangle is intended to alert the user about the presence of uninsulated dangerous voltage within the product's enclosure that may be of sufficient magnitude to constitute a risk of electric shock.



The exclamation point within an equilateral triangle is intended to alert the user to the presence of important operating and maintenance (servicing) instructions in the literature accompanying the appliance.



The lightning flash symbol is intended to alert the user about the presence of uninsulated dangerous voltage within the product's enclosure that may be of sufficient magnitude to constitute a risk of electric shock.

WARNING: TO PREVENT FIRE OR ELECTRIC SHOCK HAZARD, DO NOT EXPOSE THIS PRODUCT TO RAIN OR MOISTURE.



Suitable only for use in altitudes below 2000m



Suitable only for use in non-tropical climates

## ■ Safety Instructions

To avoid electric shock, overheat, fire, radiation, explosion, mechanical risk and injury or property loss due to improper use, please read and observe the following items before use:

1. Please check if the power of the connected equipment matches with that of this product before operation. Adjust the volume to proper level during operation. Do not operate at over-power or high-volume level for extended time to avoid product

# MG-10FM Digital Tuner

malfunction.

2. If there is any abnormality during use (e.g., smoke, strange odor), please kill the power switch and unplug from power source, then send the product to the local after-sales service for repair.
3. Power adapter used, if any, should be approved by CCC certification or similar standards and comply with the power supply requirements.
4. Keep this product and its accessories in a dry and ventilated area. Do not store in a humid or dusty area for extended time. Keep away from fire, rain, liquid intrusion, bumping, throwing, vibrating, or from blocking any ventilation openings, to prevent malfunction.
5. Please abide by safety rules during operation. Do not use the product in places prohibited by laws or regulations to avoid accident.
6. Do not disassemble or repair the product without authorization to avoid injury. If you have any questions or require any services, please contact our local after-sales service.

- For Class 1 equipment, ensure that the metal casing or frame is properly grounded or securely connected to a well-grounded protective earth within the plug socket before use.
- Product specifications and parameters are subject to change without prior notice due to ongoing improvements.

## 注意事项:

1. 本单为保修凭证, 请用户妥善保管, 如有遗失, 恕不保修或退换。
2. 保修期限制: 购买之日起十二个月内。
3. 除了不可抗力事件损坏外, 由本公司负责, 免费维修。
4. 如属保管不善或使用不当造成的损坏, 维修点将酌情收费。
5. 擅自拆卸维修者, 不予保修。
6. 以上保修条款仅限于中国市场适用 (不包含港澳台地区)。

## 产品服务保证书

姓名: \_\_\_\_\_ 电话: \_\_\_\_\_ 地址: \_\_\_\_\_

商品: \_\_\_\_\_ 型号: \_\_\_\_\_ 购买日期: \_\_\_\_\_ 年 \_\_\_\_\_ 月 \_\_\_\_\_ 日

维修记录栏 (由维修员填写)	维修员签名	日期

◆广东得胜电子有限公司 ◆电话: 400-6828-333 ◆地址: 广东省惠州市博罗县龙溪街道富康一路2号



扫一扫，了解更多产品  
Scan for more  
product information

## **广东省电声工程技术研究开发中心 广东得胜电子有限公司制造**

地址：广东省惠州市博罗县龙溪街道富康一路2号

服务热线：400 6828 333 传真：0752 6383950

邮箱：xs@takstar.com

网址：www.takstar.com

Guangdong Takstar Electronic Co., Ltd.

Address: No. 2 Fu Kang Yi Rd., Longxi Boluo  
Huizhou, Guangdong 516121 China

Tel: 86 752 6383644 Fax: 86 752 6383952

Email: sales@takstar.com

Website: www.takstar.com