

TAKSTAR®

广东得胜电子有限公司

地址: 广东省惠州市博罗县龙溪镇富康一路2号

电话: 400 6828 333

传真: 0752-6383950

邮箱: xs@takstar.com

邮编: 516121

网址: www.takstar.com

GUANGDONG TAKSTAR ELECTRONIC CO., LTD.

Address: No. 2 Fu Kang Yi Rd., Longxi Boluo, Huizhou, Guangdong 516121, China

Tel: +86 752 6383644

Fax: +86 752 6383952

E-mail: sales@takstar.com

Website: www.takstar.com

TAKSTAR® 得勝

摄像录音麦克风

SGC-698

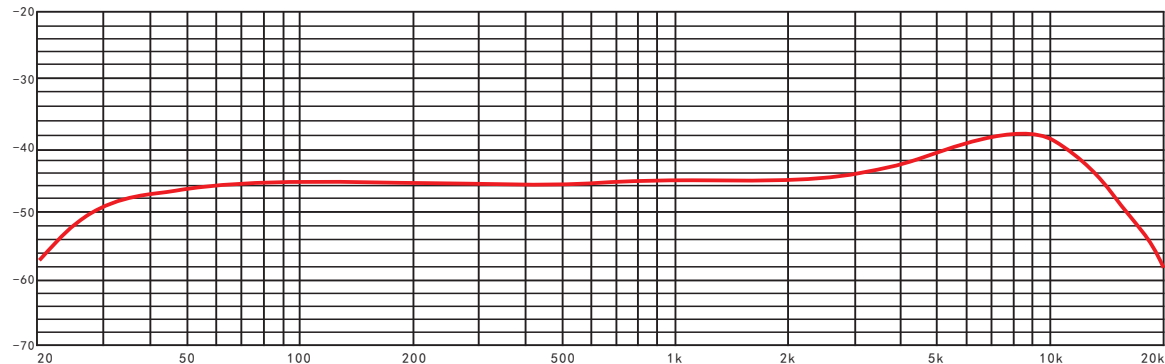
CAMERA RECORDING MICROPHONE



听得好声音

技术参数

频率响应曲线图



音头类型：静电型电容音头

指向性：单指向、立体声

频率响应：30Hz-16kHz

灵敏度：-44dB ± 3dB(0dB=1V/Pa at 1kHz)

最大声压级：130dB (THD ≤ 1.0% at 1kHz)

低频衰减：80Hz 10dB/倍频

输出阻抗：≤ 200 Ω

使用电压：3V(CR2032纽扣电池)

注意事项：

- 1.本单为保修凭证，用户妥善保管，如有丢失，恕不退换。
- 2.保修期限制购买之日起十二个月内。
- 3.除了不可抗力事件损坏外，由本公司负责免费维修。
- 4.如属保管不善或使用不当造成事故的，维修点将酌情收费。
- 5.擅自拆卸维修者，不予保修。
- 6.以上保修条款仅限于中国市场适用。

产品服务保证书

姓名：_____ 电话：_____ 地址：_____
商品：_____ 型号：_____ 购买日期：_____年____月____日

维修记录栏（由维修员填写）	维修员签名	日期

■ 广东得胜电子有限公司 ■ 电话：400-6828-333 ■ 地址：广东省惠州市博罗县龙溪镇龙桥大道得胜工业园

TAKSTAR® 得胜 均经商标注册登记，未经广东得胜电子有限公司正式授权许可，任何人（及单位）均不得私自使用。

* 得胜公司保留对本说明书中描述的产品及说明书内容更新和改进的权利，如有更改，恕不另行通知。

* 如有疑问，请关注本公司的文宣资讯或网上查询：www.takstar.com对其中涉及的描述和图像，以包装箱内内容和实物为准！

前言

欢迎选用TAKSTAR SGC-698立体声摄影录音麦克风，本产品专为摄影、采访等场合而设计，能通配大部分品牌的摄像机、单反相机，可简便安装在摄像机上，操作方便，是摄影录音的好伴侣。在使用之前，请仔细阅读本说明书，以便能更好地发挥该麦克风的理想性能。

产品特性

- 采用X-Y制式立体声拾音技术，声像定位清晰、稳定
- 内置+20dB及-10dB灵敏度开关，适合不同的声音强度录音
- 内置低切滤波开关，有效降低环境低频干扰噪音
- 采用抗射频干扰（RFI）屏蔽技术，能良好的屏蔽手机信号干扰
- 具有低电提醒功能，让用户充分做好电源管理
- 内置减震结构，有效降低机械振动噪音
- 采用标准的靴型连接器，安装简单、牢固
- 采用标准的3.5mm微型立体声插头输出信号
- 表面采用铝合金阳极氧化处理，美观、时尚，坚固耐用



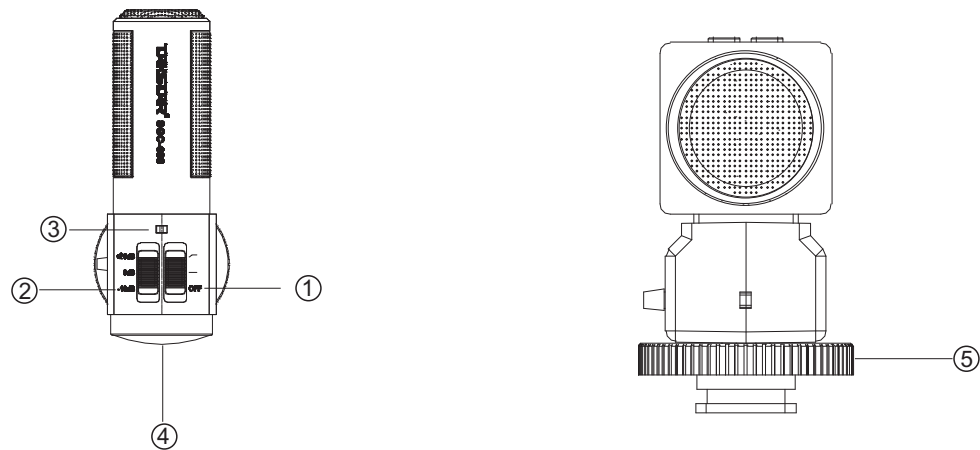
Caution

1. The sensitivity of condenser microphone is high, do not fall from high place or apply strong shock
2. When the condenser microphone is not used, please store it in dry and clean place. To avoid affecting the sensitivity and timbre, please don't store or use it in the place under high temperature/humidity or strong magnetic field
3. When stop using the condenser microphone, please turn the power switch off to save the battery power
4. When long time no use, please take out the battery to avoid battery liquid leakage which will cause circuit damage

Product Content

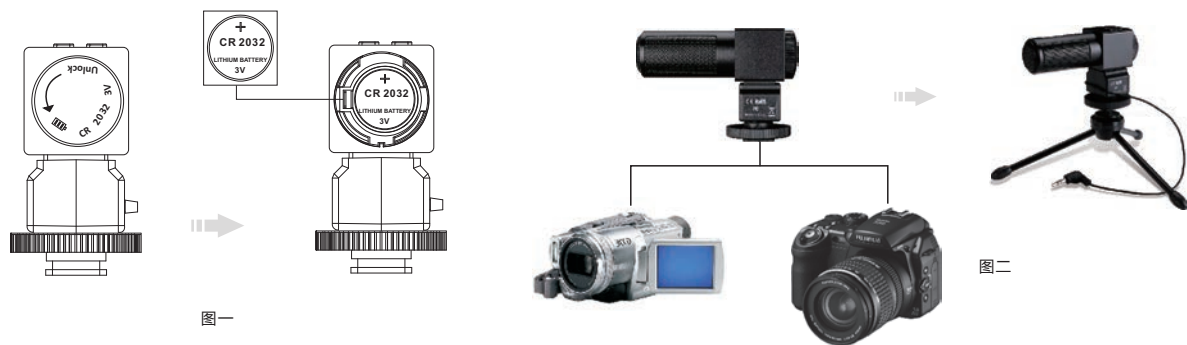
Microphone	1pc
Windscreen	1pc
CR 2032 button battery	1pc
Cloth bag	1pc
User manual	1pc

功能操作按键



- ① 电源/低切滤波开关：“OFF”为电源关闭，当开关推至“-”为开机正常工作，当开关推至“/”为开机并且打开低切滤波功能
- ② 拾音灵敏度开关：“0dB”为正常拾音状态，“-10dB”为拾音灵敏度衰减，适用于近距离拾音，“+20dB”为增强拾音灵敏度，适用于远距离拾音
- ③ 电源指示灯：开机闪亮红色后熄灭，表示进入工作状态，低电时常亮红色，需更换电池（注：当低电指示时，电池还能使用1-2小时）
- ④ 电池仓：内装一节CR2032型纽扣电池
- ⑤ 靴型连接器：可安装于摄像机，单反相机或支架上

安装连接



1. 电池安装与拆卸

如图一：按电池仓盖上Unlock的方向将电池盖旋开，将配置的CR2032型钮扣电池装入电池卡座；安装电池时，将标有“+”符号的面朝上，按压电池至装置卡位中，然后以顺时针方向将电池盖旋紧。

拆卸电池时，将电池卡座内的金属卡扣向外推动，电池会自动弹出

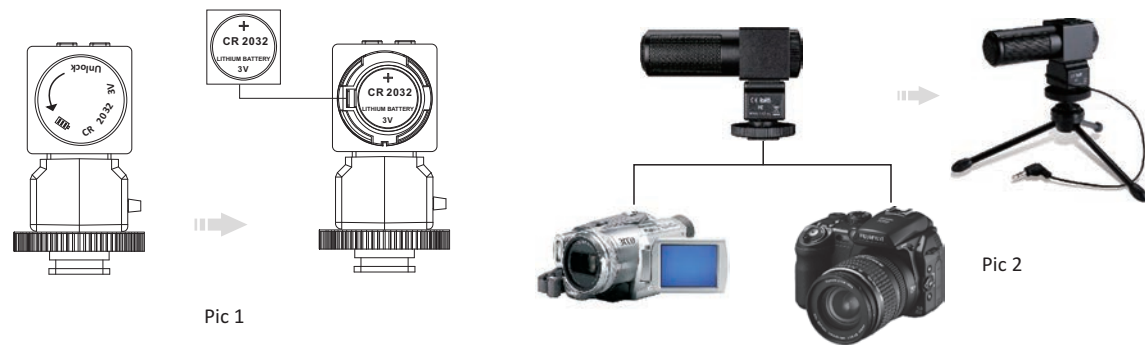
2. 麦克风安装

如图二：当麦克风安装到摄像机或单反相机时，将靴型连接器装入设备的靴型座中，顺时针方向将其紧固，当靴型座被占用，或应用于其它设备时，可将底部的标准型支架连接螺母安装到支架上

3. 将Φ3.5插头插入设备的麦克风接口（注意：需插到位）

4. 防风罩，可过滤风流影响，确保拾音质量

Installation Instruction



1. Battery Installation and Remove

Pic 1: Unscrew the battery cover according to the “Unlock” direction on the battery cover, put the supplied button battery (CR2032) into the battery holder with correct polarity (put the side with symbol “+” upwards) and press it till it is fixed, then screw up the battery cover clockwise. When removing the battery, push the metal buckle on the compartment outwards, the battery will pop up automatically

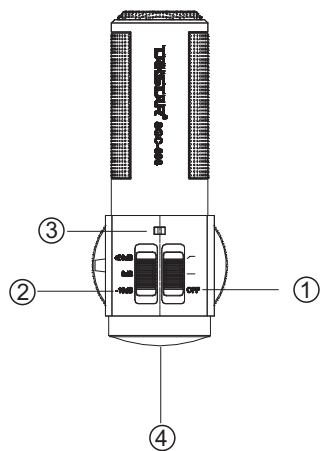
2. Microphone Installation

Pic 2: When the microphone is mounted on the camera or DSLR, screw the hot shoe connector to the hot shoe holder of the device and fasten it clockwise, when the hot shoe is occupied or used by other device, please mount the bottom standard connecting nut on the microphone tripod

3. Plug the Φ3.5 connector into the microphone socket (attention: should be inserted completely)

4. Windscreen: filter the impact of airflow to ensure the quality of vocal pick up

Operating Instruction



- ① **Power/Low Cut Switch:** "OFF" is power off. When the switch is pushed to "—" position, the unit is turned on. When the switch is pushed to "∩" position, the unit is turned on and the low cut function is turned on as well
- ② **Pick up Sensitivity Switch:** "0dB" is normal pick up status, "-10dB" is pick up sensitivity attenuation, it is suitable for short distance vocal pick up. "+20dB" is pick up sensitivity gain, it is suitable for long distance vocal pick up
- ③ **Power Indicator:** when the microphone turns on, the indicator lights red and then turns off, it means it is under working status. If the indicator keeps on red, please change the battery timely (attention: the battery can use 1-2hrs when the indicator warns for low battery level)
- ④ **Battery Compartment:** put in 1pc CR2032 button battery
- ⑤ **Hot Shoe Connector:** to mount on the camera, DSLR or bracket

注意事项

1. 麦克风灵敏度高，必须注意不要从高处落下或给予强烈冲击。
2. 麦克风不使用时应存放在干燥清洁的地方，避免在温度、湿度过高或及强磁场的场所保管或使用，以免影响灵敏度和音色。
3. 麦克风停止使用时，请将开关推到"OFF"处，以节省电池电量。
4. 若长时间不使用时，请取出电池，避免电池产生漏液而导致电路损坏。

标准配置

麦克风组件	一套
防风罩	一个
CR 2032纽扣电池	一节
收纳袋	一个
说明书	一份

Foreword

Welcome to use TAKSTAR SGC-698 stereo camera recording microphone. This product is specially designed for photography, interview and other recording applications. It is compatible with the mainstream camera/DSLR, and is easy to install and use. It is an ideal choice for photography/interview. Please read this manual detailedly before using to make sure the correct operation and exert the optimum function.

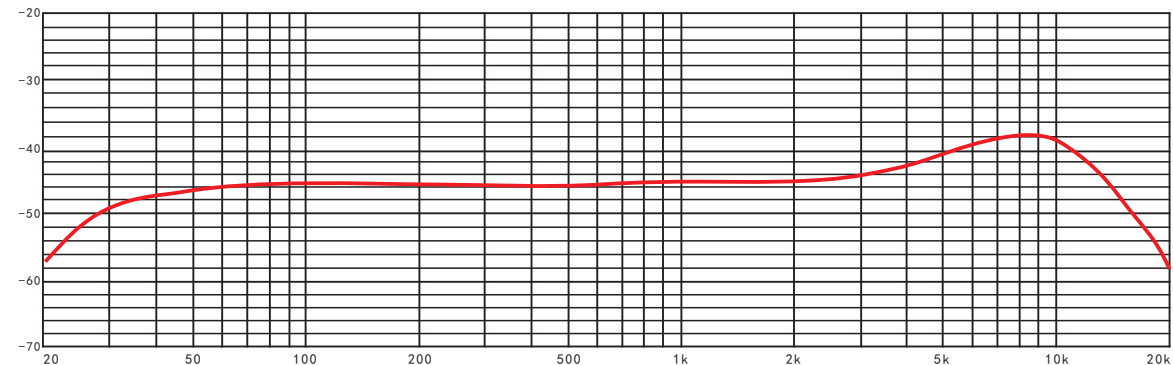
Features

- Adopts X-Y stereo pickup technology, clear and stable sound image localization
- Built-in +20dB and -10dB sensitivity switch satisfies different recording occasions
- Built-in low cut filter switch for effective ambient low frequency noise reduction
- RFI shielding technology can effectively reduce the interference of mobile phone signal
- Low power warning function remind you to replace the battery timely
- Shock proof design effectively reduces the mechanical noise
- Uses standard shoe connector, secure and easy for installation
- Uses standard $\Phi 3.5\text{mm}$ mini stereo connector for signal output
- Aluminum alloy housing with anode oxidation surface treatment, fashionable and anti-scratch



Specification

Frequency Response Graph



Transducer Principle: Back Electret Condenser

Polar Pattern: Cardioid/Stereo

Frequency Response: 30Hz- 16kHz

Sensitivity: $-44\text{dB}\pm 3\text{dB}$ ($0\text{dB}=1\text{V}/\text{Pa}$ at 1kHz)

Max. SPL: 130dB ($\text{THD}\leq 1.0\%$ at 1kHz)

Low Cut: 80Hz 10dB/octave

Output Impedance: $\leq 200 \Omega$

Power Requirement: 3V (CR2032 button battery)