

Thank you for purchasing MG-612C In-Ceiling Speaker. To correctly use the device, please read the manual carefully.

If you have any questions or suggestions, please contact our local sales outlet.

## ■ Features

- Full range composite speaker cone, transparent tone, flat frequency response.

## ■ Applications

Restaurant, tea house, playground, station, school, mall, office building, workshop.

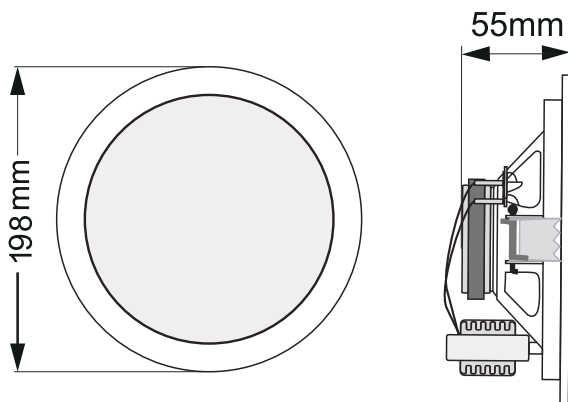
## ■ Standard Configuration

- 1 × MG-612C
- 1 × User Manual

## ■ Technical Specifications

- Rated Power: 12W (AES)
- Voltage Input: 70-100V
- Sensitivity: 91dB (1M/1W)
- Maximum SPL: 97dB
- Frequency Response: 90-16,000Hz
- Speaker Size: Ø158mm
- Cutout Size: Ø168mm
- Dimensions: Ø198 × 55mm
- Color: White

## ■ Dimensions



## ■ Safety Instructions

To avoid electric shock, over temperature, catching fire, explosion, mechanical risk and hurt or property loss caused by improper use, please read the following items carefully before operation:

1. Please check if the power of the connected equipment matches with that of this product before operation. Adjust the volume to proper level during operation. Do not operate at over-power or high volume level for a long time to avoid abnormal functioning or hearing loss.
2. If abnormal phenomenon (smoke, abnormal smell) happens, please turn off the power switch and disconnect the power plug with power socket, and send the product to local sales outlet for maintenance.
3. The product and accessories should be put in dry and ventilated place rather than humid or dusty environment. Prevent the product from liquid, rain, water, over-colliding, throwing, vibra-ting, vent hole covered to avoid function destroyed.
4. When the product needs to be installed on wall or ceiling, please fix it tightly to avoid dropping risk.
5. Please abide by safety rules during operation. Do not use the product in the place prohibited by regulation or law to avoid accident.
6. Do not disassemble or repair the product by yourself to avoid hurt. If you have question or need service, please contact the local sales outlet.